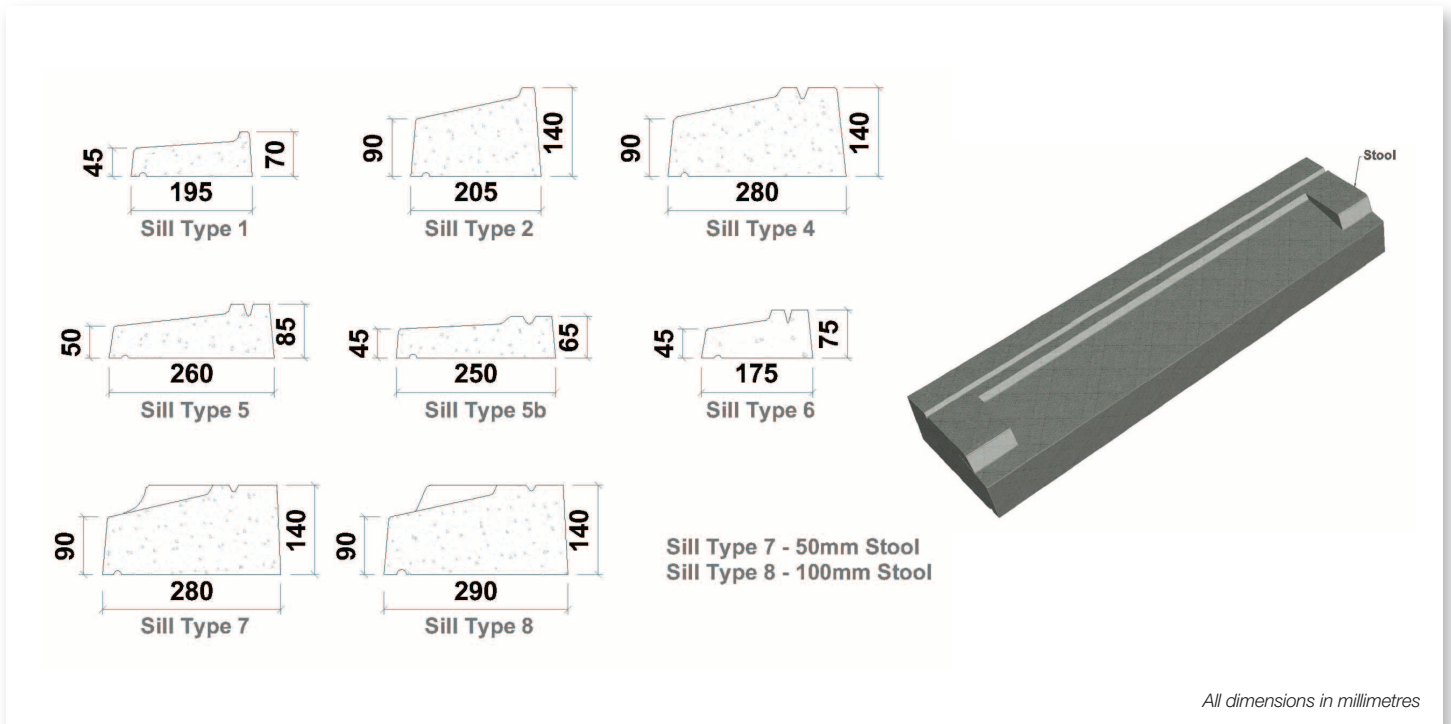




Turkington

Precast

Window Sills



Sill	Width	Height (Front)	Height (Back)	Weight (kg/m)	Max. Length
Type 1 *	195mm	45mm	70mm	24kg	3,000mm
Type 2	205mm	90mm	140mm	54kg	3,000mm
Type 4	280mm	90mm	140mm	79kg	2,575mm
Type 5	260mm	50mm	85mm	41kg	3,000mm
Type 5b	250mm	45mm	65mm	32kg	3,000mm
Type 6	175mm	45mm	75mm	24kg	3,000mm
Type 7	280mm	90mm	140mm	80kg	2,360mm
Type 8	290mm	90mm	140mm	80kg	2,460mm

Sills normally cast in plain grey concrete, also available are reconstituted sandstone & reconstituted granite finishes.

* Sill type 1 made to order only

Material Data

Concrete Grade	C35
Reinforcement	High yield 460N/mm ² (For handling only)
Reinforcement Cover	25mm min
Sill finish	As from mould top & sides, steel float underside

Please contact our sales office on **028 3833 2807** for information, advice or a quotation.



INVESTOR IN PEOPLE

Turkington Precast

James Park Mahon Road Portadown County Armagh Northern Ireland BT62 3EH
 Telephone 028 3833 2807 Fax 028 3836 1779 Email info@turkington-precast.com

