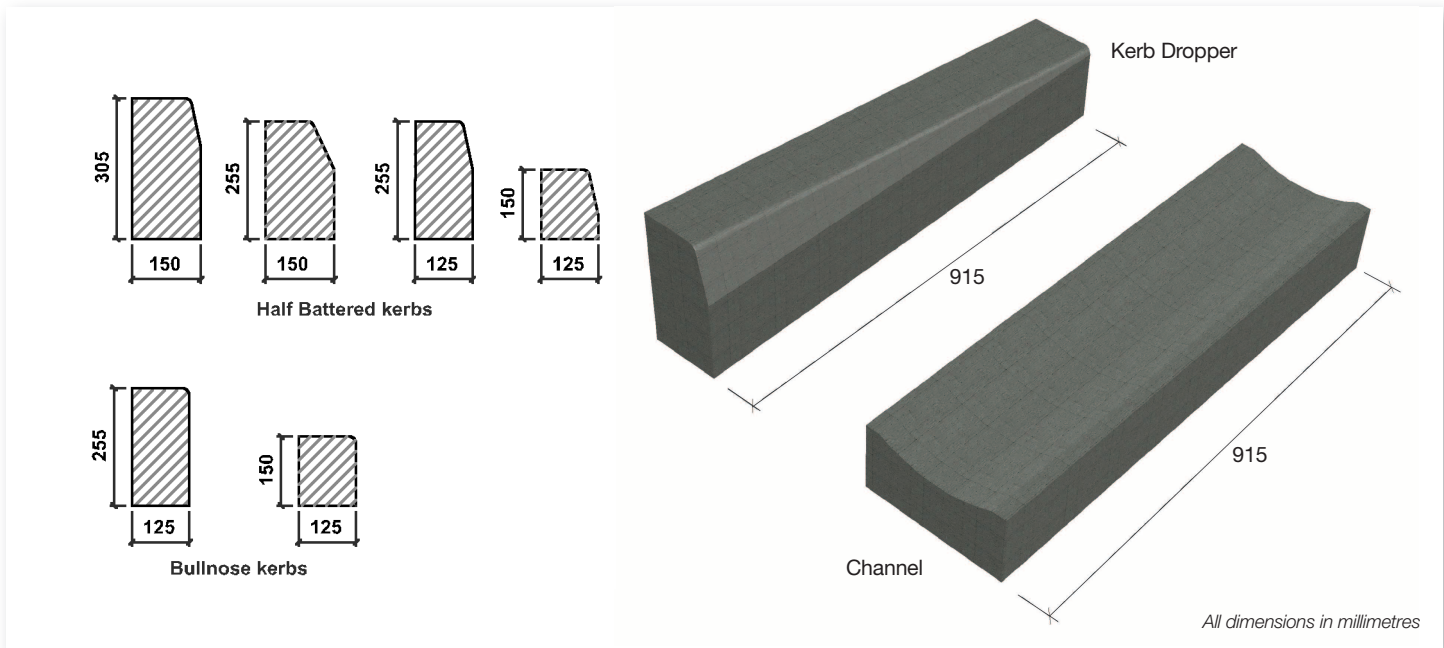




Turkington

Precast

Hydraulically Pressed



Description	Size (mm)	Weight (kg)
Half battered road kerb	915x255x125	67kg
Half battered road kerb	450x255x125	33kg
Half battered road kerb	300x255x125	22kg
Half battered road kerb	915x305x150	100kg
Half battered road kerb	915x255x150	77kg
Half battered road kerb	915x150x125	42kg
Half battered road kerb	450x150x125	21kg
Bull-nosed road kerb	915x255x125	72kg
Bull-nosed road kerb	450x255x125	36kg
Bull-nosed road kerb	300x255x125	24kg
Bull-nosed road kerb	915x150x125	44kg
Bull-nosed road kerb	450x150x125	22kg
Bull-nosed road kerb	300x150x125	15kg
Kerb dropper left	915x255x125	55kg
Kerb dropper right	915x255x125	55kg
Channel (25mm dish)	255x125x915	67kg

Material Data
Manufactured to BS EN 1340:2003

Hydraulically compressed concrete is used for road kerbs and has a greater resistance to frost damage than vibrated concrete. It is commonly used where the precast unit may come into contact with de-icing salts. e.g. at the sides of roads.

Please contact our sales office on 028 3833 2807 for information, advice or a quotation.



Turkington Precast

James Park Mahon Road Portadown County Armagh Northern Ireland BT62 3EH
 Telephone 028 3833 2807 Fax 028 3836 1779 Email info@turkington-precast.com

