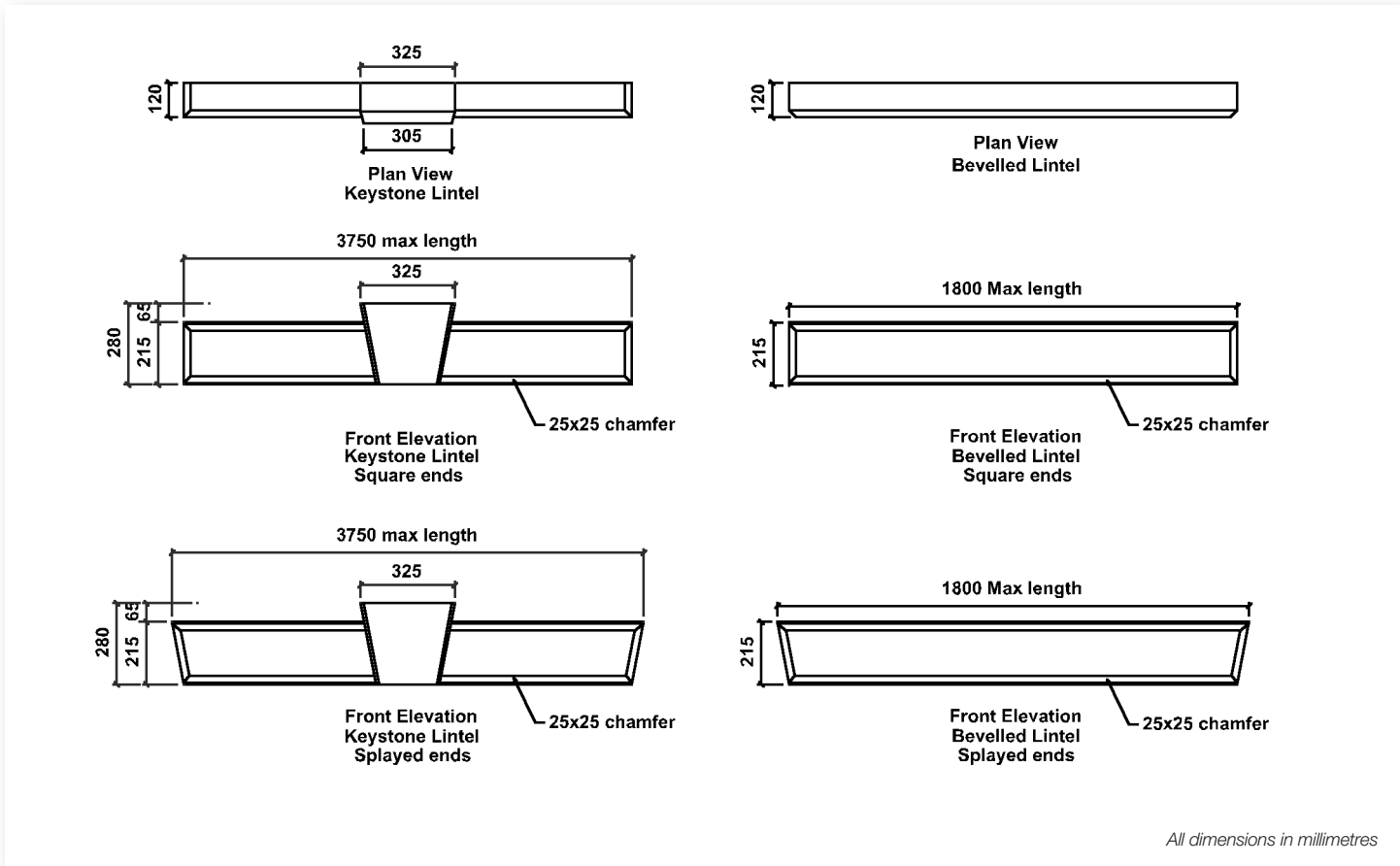




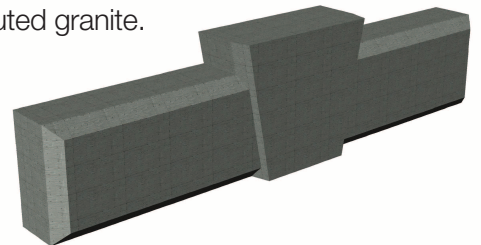
Turkington

Precast

Decorative Lintels



Decorative lintels are placed above entries, windows, and garages in all types of homes and commercial buildings. These lintels add richness to a building and accent the brick or stone. They allow you to accentuate one window or entry over another and can create additional focal points for a building. Decorative lintels can be cast in plain grey, reconstituted sandstone & reconstituted granite.



Material Data

Concrete Grade	C35
Reinforcement	High yield 460N/mm ²
Cover	25mm min.
Finish	As from mould front & sides, steel float rear

Please contact our sales office on **028 3833 2807** for information, advice or a quotation.



Turkington Precast

James Park Mahon Road Portadown County Armagh Northern Ireland BT62 3EH
 Telephone 028 3833 2807 Fax 028 3836 1779 Email info@turkington-precast.com

